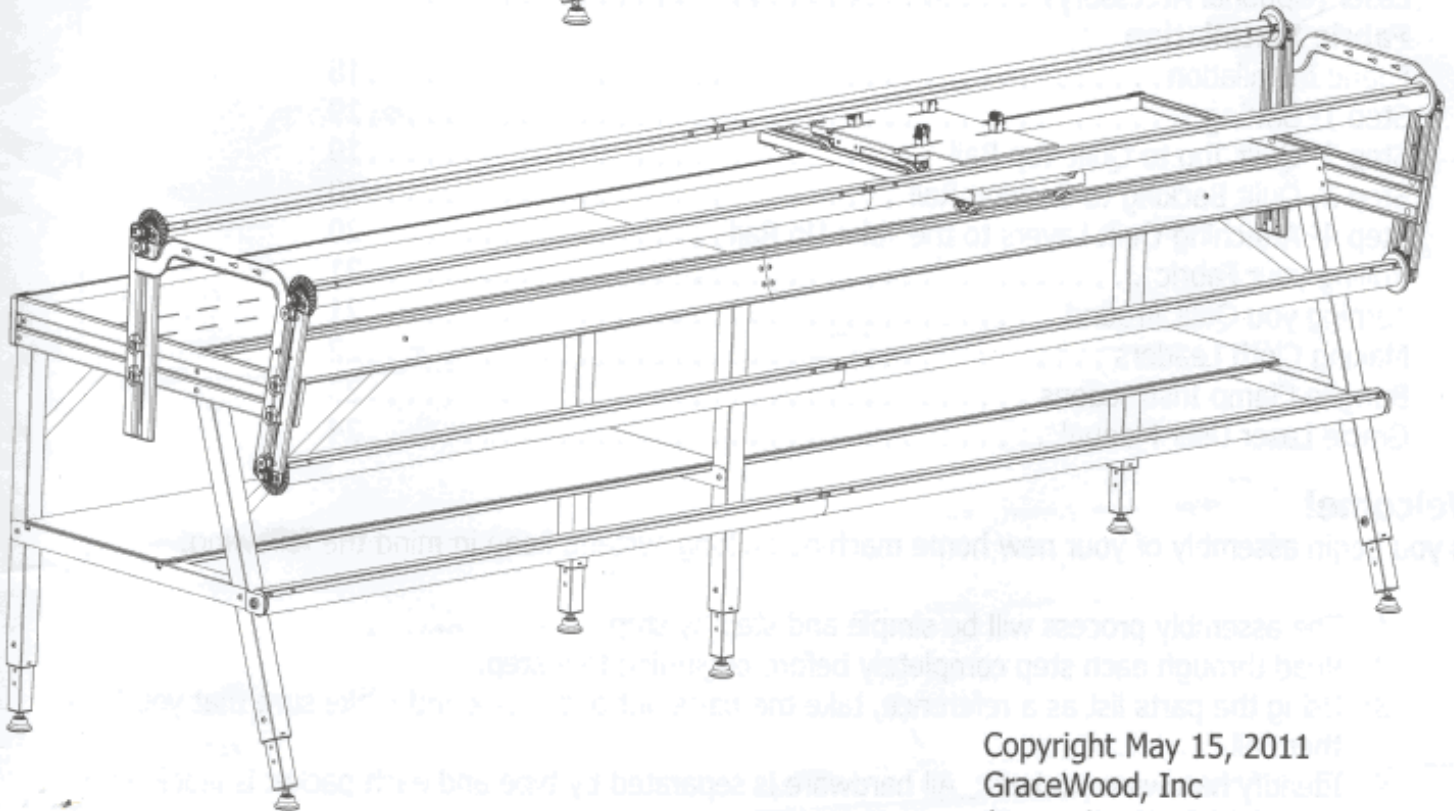
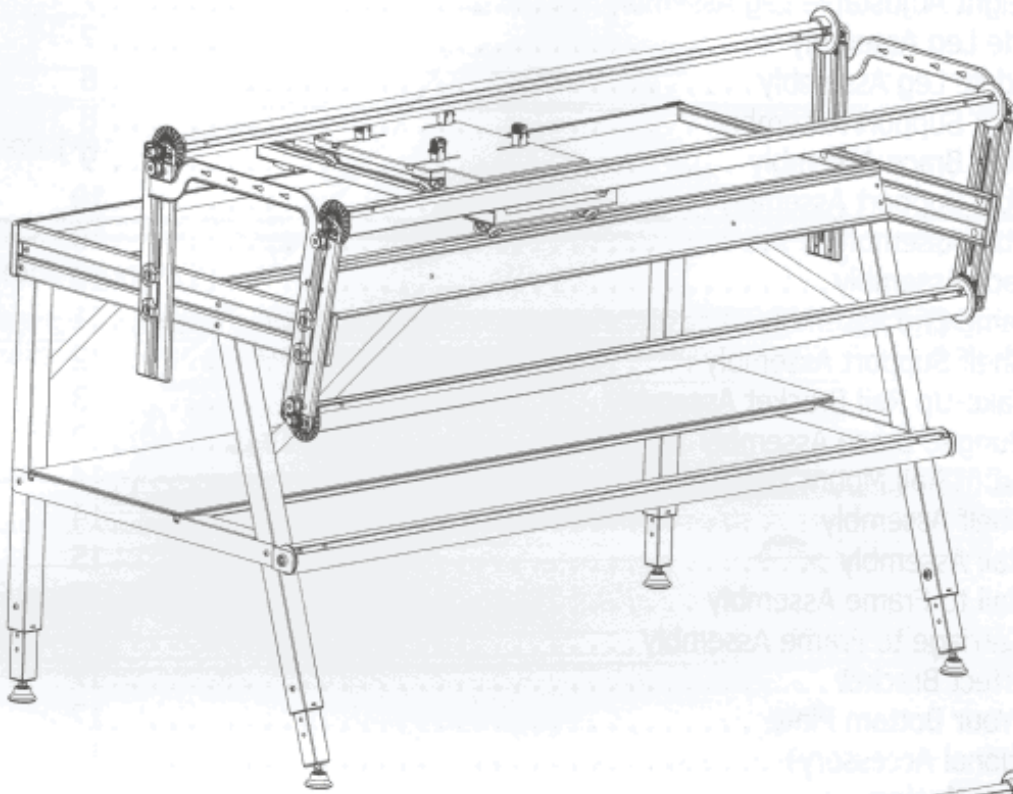




Quilting Frame

With Dual-Wheel Carriage and Rigid-Rail Design



Copyright May 15, 2011
GraceWood, Inc
(Reproduction Prohibited)
Revision 3



Quilting Frame

Parts List

Box 1	3
Box 2	4
Plastic Parts List	5
Hardware List	6
Carriage Parts List	7

Assembly Steps

Step 1- Height Adjustable Leg Assembly	7
Step 2- Side Leg Assembly	7
Step 3- Middle Leg Assembly	8
Step 4- Track Support Assembly	8
Step 5- Table Brace Assembly	9
Step 6- Table Support Assembly	10
Step 7- Table Assembly	10
Step 8- Track Assembly	10
Step 9- Frame End Assembly	11
Step 10- Shelf Support Assembly	12
Step 11- Take-Up Rail Bracket Assembly	13
Step 12- Bungee Brace Assembly	13
Step 13- Front Rail Mount End Assembly	14
Step 14- Shelf Assembly	14
Step 15- Rail Assembly	15
Step 16- Rail to Frame Assembly	16
Step 17- Carriage to Frame Assembly	16
Pattern Perfect Bracket	17
Adjusting Your Bottom Plate	17
Laser (Optional Accessory)	17

Fabric Installation

Fabric Installation	18
Step 1- Batting	19
Step 2- Quilt Top to Quilt Top Rail	19
Step 3- Quilt Backing to Backing Rail	20
Step 4- Attaching Quilt Layers to the Take-Up Rail	20
Rolling your Fabric	21
Turning you Quilt Around	21
Making Cloth Leaders	22
Bungee Clamp Instructions	23
Gracie Laser User Manual	24

Welcome!

As you begin assembly of your new home machine quilting system, keep in mind the following:

- 1: The assembly process will be simple and step by step.
- 2: Read through each step completely before beginning that step.
- 3: Using the parts list as a reference, take the parts out of the box and make sure that you have them all.
- 4: Identify hardware packets: All hardware is separated by type and each packet is labeled for ease in identification.
- 5: If anything appears to be missing or damaged please contact your dealer or the Grace Company directly at 1-800-264-0644 or info@gracieframe.com.

Box 1



Left Frame End (1)



Right Frame End (1)



Shelf Support (4)



Front Top Track Support(2)



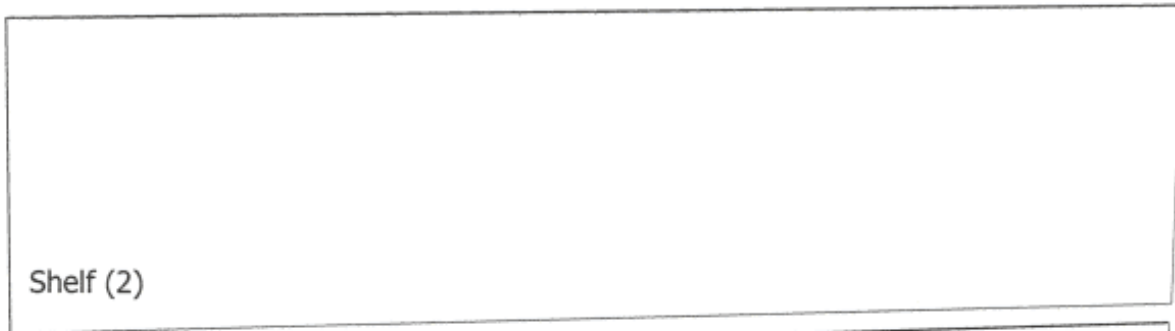
Front Track Support (2)



Back Track Support (2)



Rail (8)



Shelf (2)

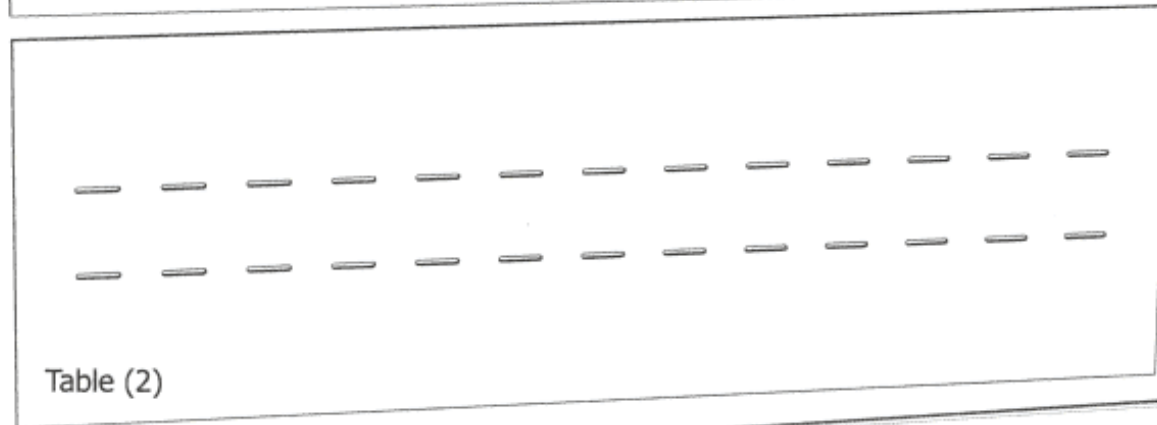
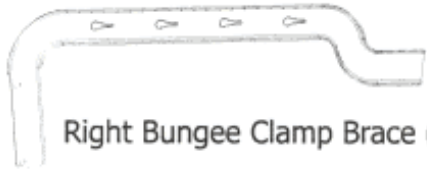


Table (2)

60" Plastic Track (4)

Box 2



Right Bungee Clamp Brace (1)



Back Track Support Coupler (1)



Table Support (6)



Left Bungee Clamp Brace (1)



Rail Coupler (4)



Front Track Support Coupler (1)



Shelf Support Connector (4)



Left Track Brace (1)



Right Lower Leg Brace (1)



Right Track Brace (1)



Left Lower Leg Brace (1)



Middle Lower Leg Brace (1)



Long Leg (2)



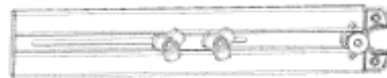
Middle Track Brace (1)



Short Leg (4)



Take-Up Rail Bracket Right (1)



Take-Up Rail Bracket Left (1)



Table Brace (4)



Left Front Rail Mount End (1)



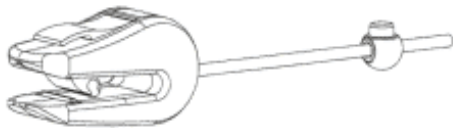
Right Front Rail Mount End (1)

120" Plastic Track (4)

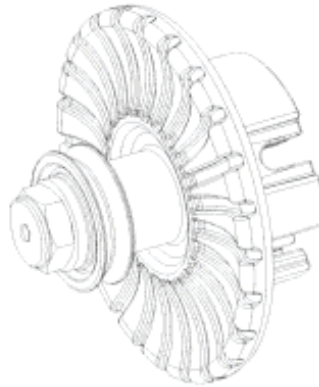
116" Plastic Tubing (4)

Plastic Parts List

(Box 2 continued)



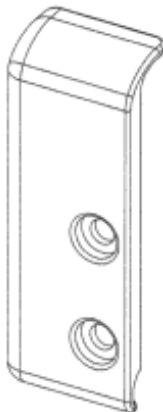
Bungee Clamps
(4)



Ratchet
Wheel
(6)



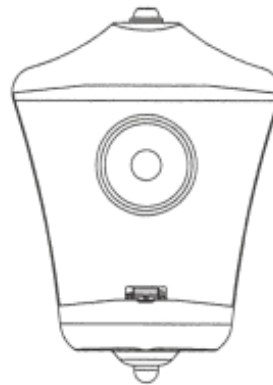
Fourth Rail
End Cap
(2)



Right Frame
Corner
(1)



Left Frame
Corner
(1)



Laser
(1)



Ratchet Wheel
Holder
(2)



Fabri-Fast Tool
(1)



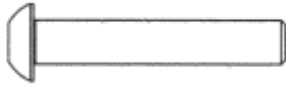
4th Rail Insert
Washer
(2)



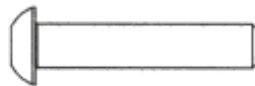
Sewing
Machine
Clamp
(4)

Hardware List

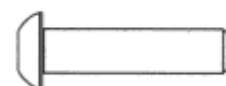
(Box 2 continued)



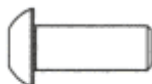
M6 x 35mm Socket Button Head Cap Screw (SBHCS) (4)



M6 x 30mm Socket Button Head Cap Screw (SBHCS) (8)



M6 x 25mm Socket Button Head Cap Screw (SBHCS) (4)



M6 X 16mm Socket Button Head Cap Screw (SBHCS) (8)



M6 x 10mm Socket Button Head Cap Screw (SBHCS) (110)



M5 X 16mm Socket Button Head Cap Screw (SBHCS) (24)



Steel Spacer (4)



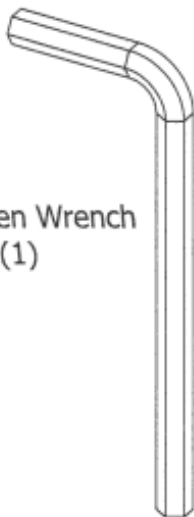
M8 Hex Nut (4)



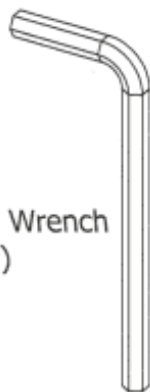
M6 Hex Nut (6)



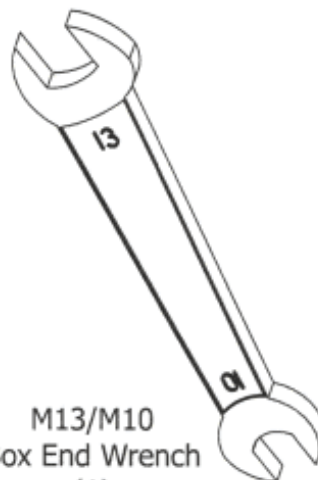
M6 X 10mm Set Screw (8)



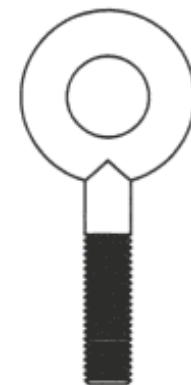
M4 Allen Wrench (1)



M3 Allen Wrench (1)



M13/M10 Box End Wrench (1)



M8 Eye Bolt (2)

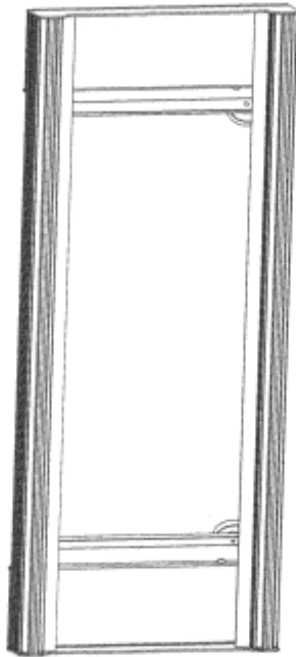
Warranty Information

for your Grace Machine Quilting Frame

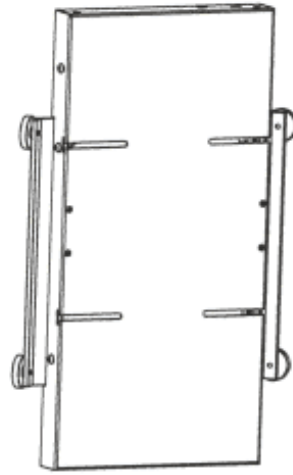
The Machine Quilting Frame has a One-Year limited warranty on all parts. The Grace Company will repair or replace, at its discretion, any part with problems due to our manufacturing, or defects in materials. This warranty does not cover parts damaged through misuse, improper storage, improper assembly, loss, natural events, or willful destruction. Parts must be returned to the Grace Company, shipping prepaid, before we can repair or replace them.

Carriage Parts

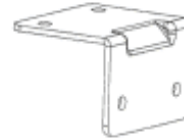
(Box 2 continued)



Carriage Bottom Plate (1)



Carriage Top Plate (1)



Pattern Perfect Bracket (1)



Non Skid Pad (1)

Step 1: Height Adjustable Leg - Assembly

Parts Needed:

- 4-Short Leg
- 2-Long Leg

Height of Fabric Surface	
Top Hole 45"	4th Hole 41"
7th Hole 44"	3rd Hole 40"
6th Hole 43"	2nd Hole 39"
5th Hole 42"	Bottom Hole 38"

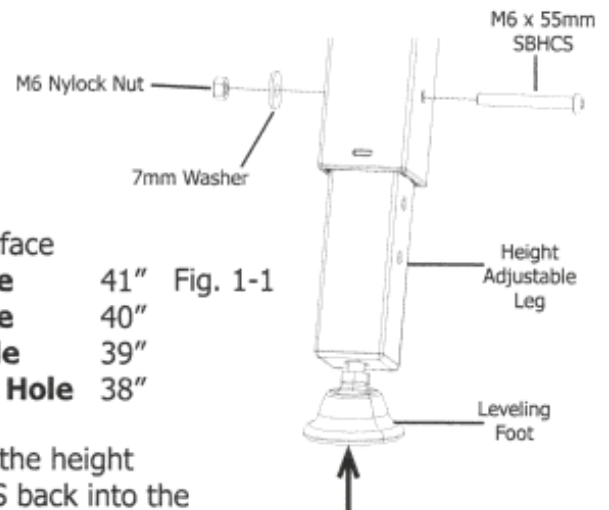


Fig. 1-1

1-1: Unscrew a M6 X 55mm SBHCS from a leg and slide the height adjustable leg to the desired height. Then slide the SBHCS back into the Height Adjustable Leg and out the other end. Slide a washer on the end of the screw and tighten a nut onto the end of the screw. Follow this step again for the other five legs. Make sure all the legs are at the same height.

Step 2: Side Leg - Assembly

Parts Needed:

- 24-M6 x 10mm SBHCS
- 1-Right Track Brace
- 1-Left Track Brace
- 1-Right Lower Leg Brace
- 1-Left Lower Leg Brace
- 2-Short Leg
- 2-Long Leg

Note: Do not completely tighten the screws in this step until the end of Step 8.

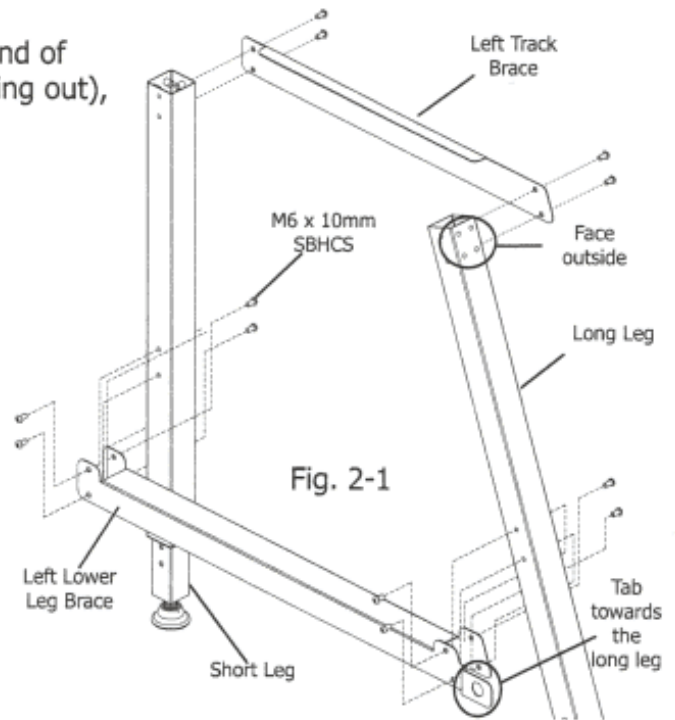
Note: Make sure the side of the leg with (4) holes faces the outside of the frame.

2-1: Slide the Short Leg inside the opening at the end of the Left Lower Leg Brace (side without the tab sticking out), and fasten it in place with (4) M6 x 10mm SBHCS.


2-2: Attach the long leg to the left lower brace, making sure the leg slides into the slot with the tab sticking out using (4) M6 x 10mm SBHCS, as shown in Fig. 2.1.

2-3: Attach the Left Track Brace to the short and long legs on the opposite side of the Left Lower leg brace tab with (4) M6 x 10mm SBHCS.

2-4: Repeat **Steps 2-1 through 2-3** to assemble the Right Leg.



Step 3: Middle Legs - Assembly

Parts Needed: 

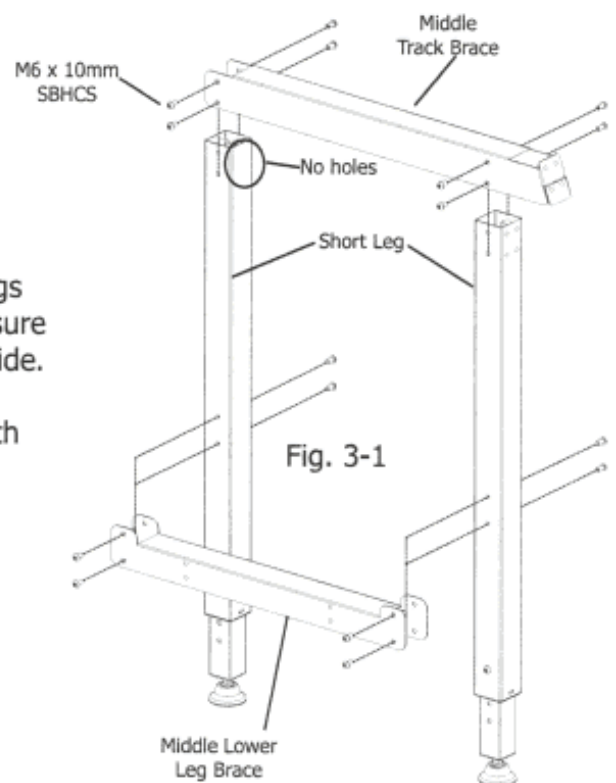
- 16-M6 x 10mm SBHCS
- 2-Short Leg
- 1-Middle Track Brace
- 1-Middle Lower Leg Brace

Note: Skip this step if setting up in crib.

Note: Do not completely tighten the screws in this step until the end of Step 8.

3-1: Attach the Middle Lower Leg Brace to the Middle Legs with (8) M6 x 10mm SBHCS, as shown in Fig. 3-1. Make sure that the side of the leg with no holes goes toward the inside.

3-2: Attach the Middle Track Brace to the Middle Legs with (8) M6 x 10mm SBHCS.



Step 4: Track Support - Assembly

Parts Needed: 

- 16-M6 x 10mm SBHCS
- 8-M6 x 10mm Set Screws
- 1-Left Leg Assembly
- 1-Right Leg Assembly
- 1-Middle Leg Assembly*
- 2-Front Track Support
- 2-Back Track Support
- 2-Front Top Track Support
- 1-Front Track Support Coupler
- 1-Back Track Support Coupler

***Note:** If you're setting the frame up in Crib Size you will need to use both Side Legs, not the Middle Leg as shown in Fig. 4-2b.

Note: Skip Steps 4-1 through 4-4, 4-7, 4-9, and 4-10 if setting up in crib size.

4-1: Slide the Back Track Support Coupler into the end of one Back Track Support with the two holes near the end. Tighten (2) M6 x 10mm set screws into the coupler through the Back Track Support, as shown in Fig. 4-1a.

4-2: Slide the other Back Track Support onto the coupler and tighten (2) M6 x 10mm Set Screws into the coupler through the Back Track Support.

4-3: Follow **Step 4-1 through 4-2** for the Front Top Track Support and coupler, as shown in Fig. 4-1b (not used until step 7).

Note: The Front Track Support attaches to the diagonal leg.

4-5: Attach the Back Track Support to the outside holes on the Left Leg Assembly with (2) M6 x 10mm SBHCS, as shown in Fig. 4-2a.

4-6: Attach the other end of the Back Track Support to the outside holes on the Right Leg with (2) M6 x 10mm SBHCS.

4-7: Tighten (4) M6 x 10mm SBHCS, through the Back Track Support and into the Middle Leg.

4-8: Attach the Front Track Support to the outside holes on the Left Leg Assembly using (2) M6 x 10mm SBHCS (if setting up in crib, attach one end of the Front Track Support to the Left Leg Assembly and the other end to the Right Leg Assembly).

4-9: Attach the other side of the Front Track Support to the inside holes on the Middle Leg with (2) M6 x 10mm SBHCS.

4-10: Repeat **Steps 4-8 through 4-9** for the other Front Track Support.

Step 5: Table Brace - Assembly

Parts Needed:



- 4-M6 x 10mm SBHCS
- 4-M6 x 35mm SBHCS
- 4-M6 Hex Nut
- 4-Table Brace

5-1: Attach (2) Table Brace to the left side of frame using (2) M6 x 10mm SBHCS and to the track supports using (2) M6 x 25mm SBHCS and (2) M6 Hex Nuts, as shown in Fig. 5-1.

5-2: Repeat **Step 5-1** for right side of the frame.

