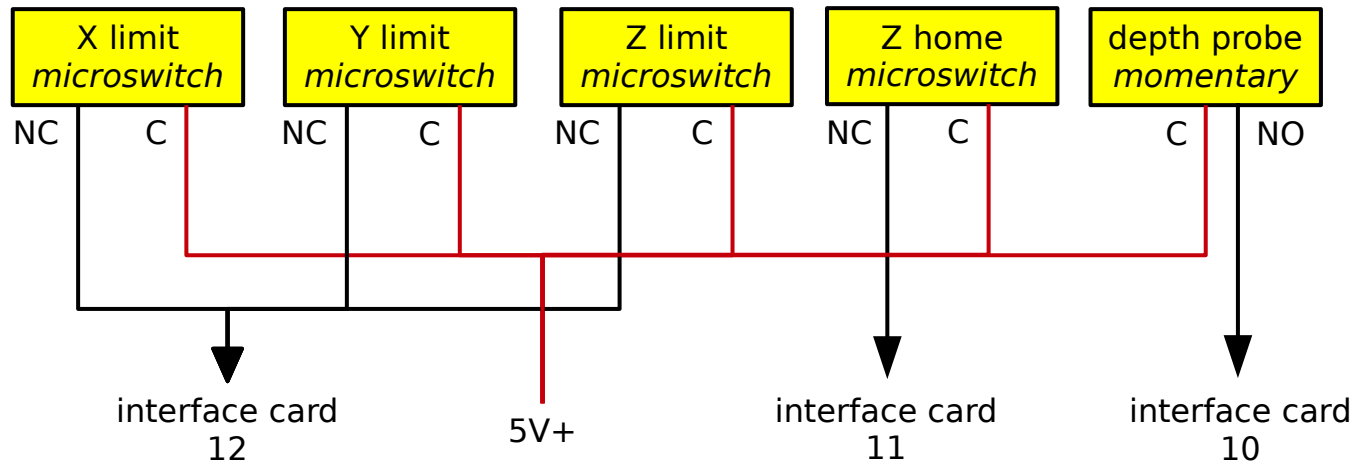
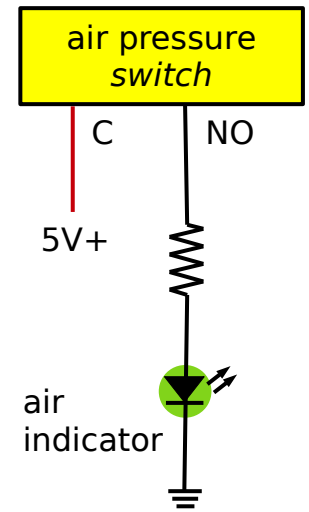


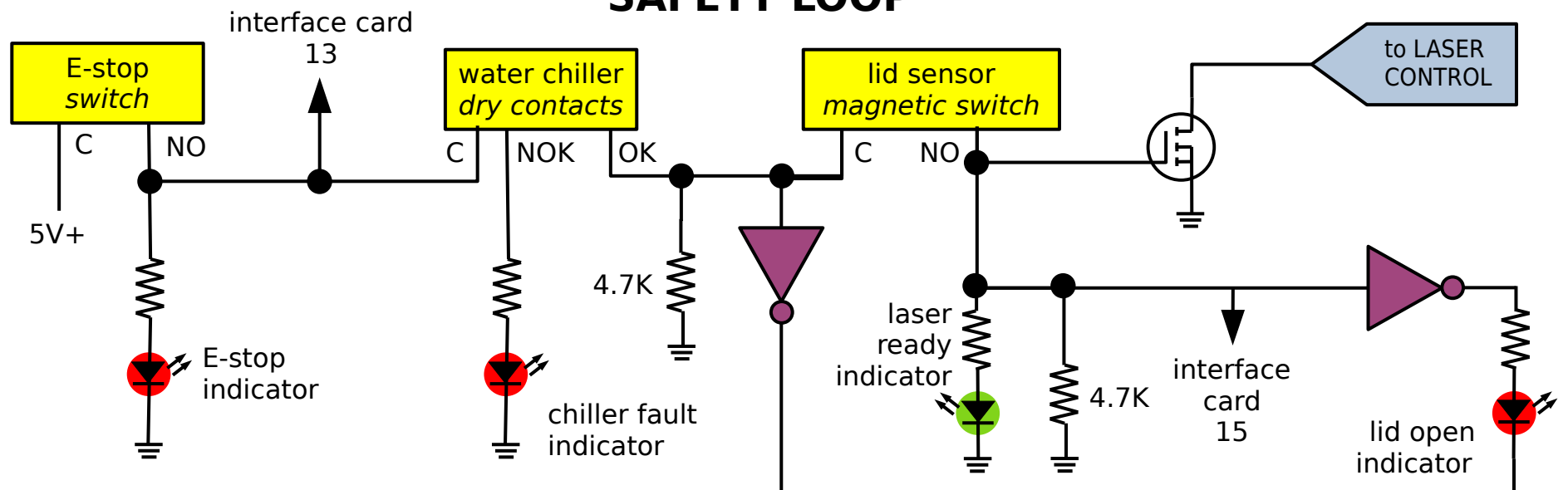
POSITION SWITCHES



AIR SENSING



SAFETY LOOP



MOTION CONTROL

X stepper driver
- PULS + - DIR + - ENA +

Y stepper driver
- PULS + - DIR + - ENA +

Z stepper driver
- PULS + - DIR + - ENA +

5V+

5V+

5V+

GND

2

3

GND

4

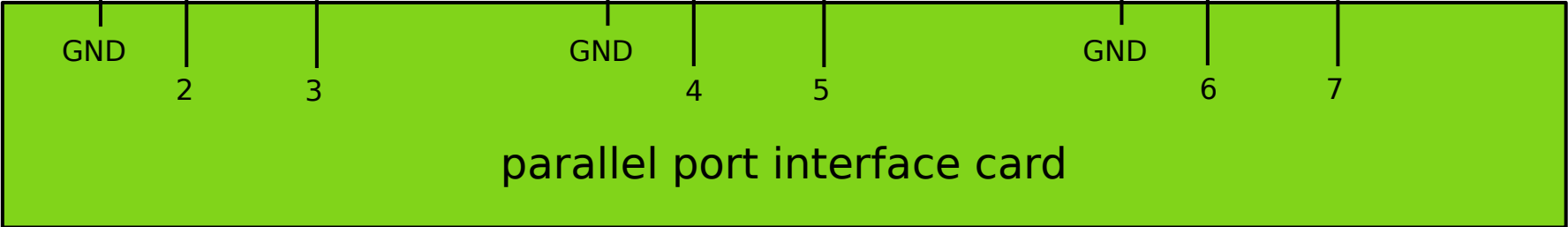
5

GND

6

7

parallel port interface card



LASER CONTROL

